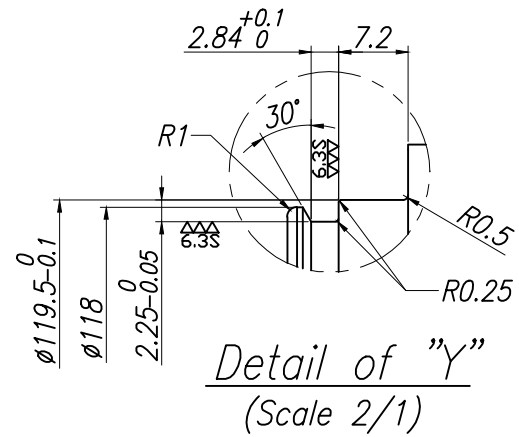
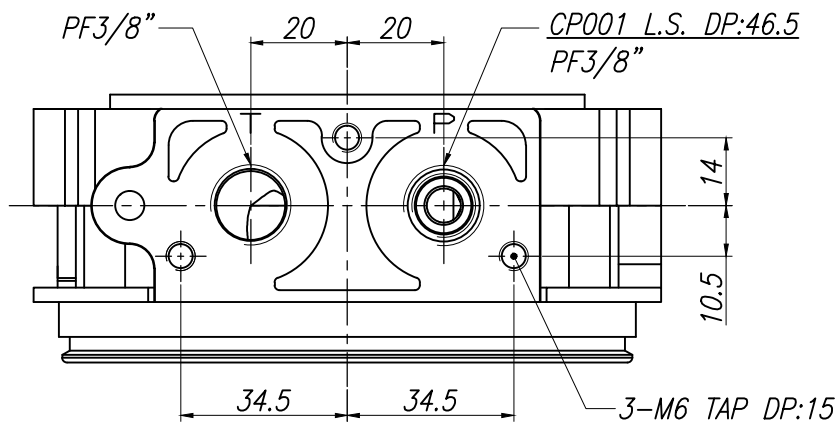
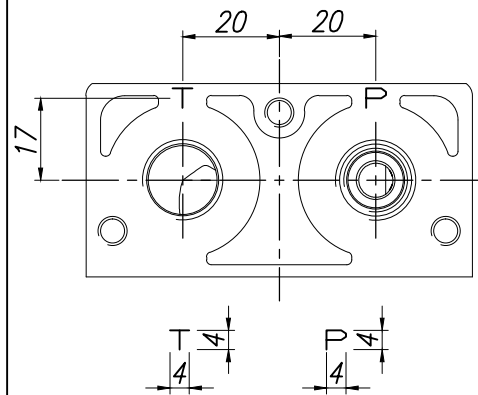
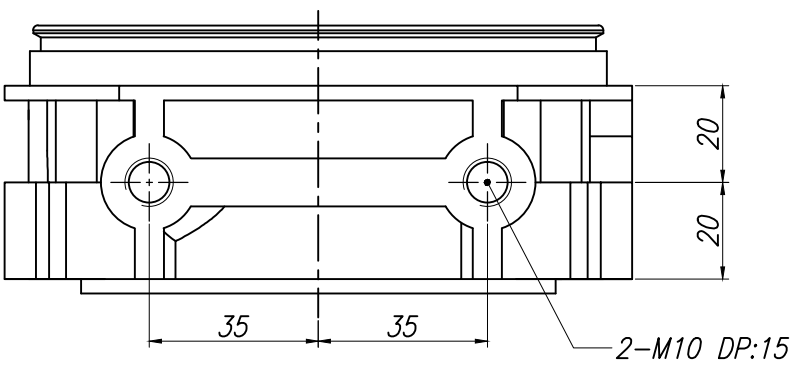
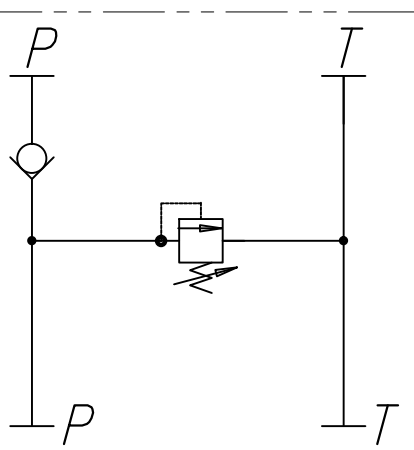
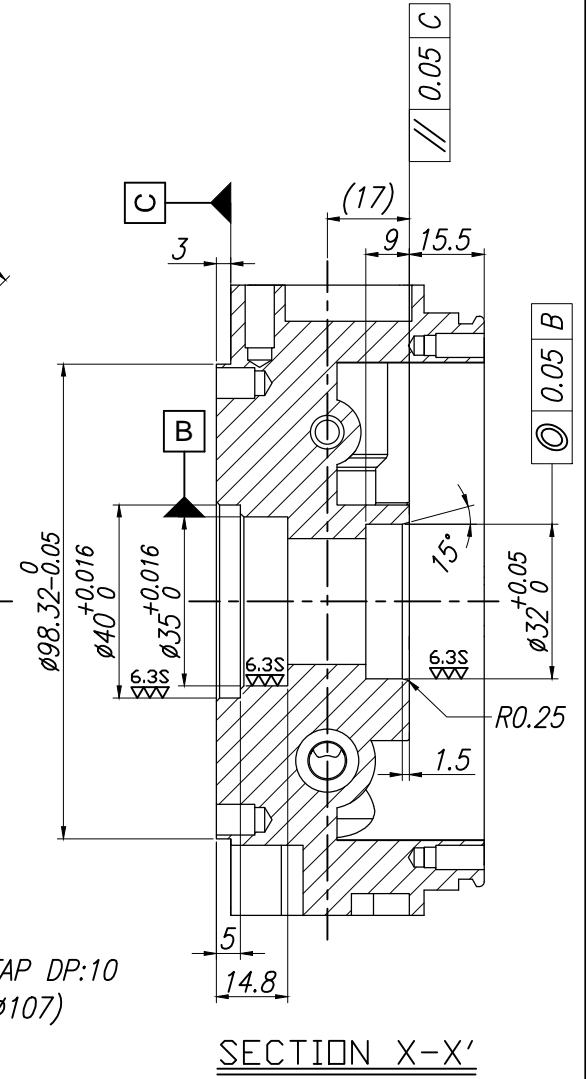
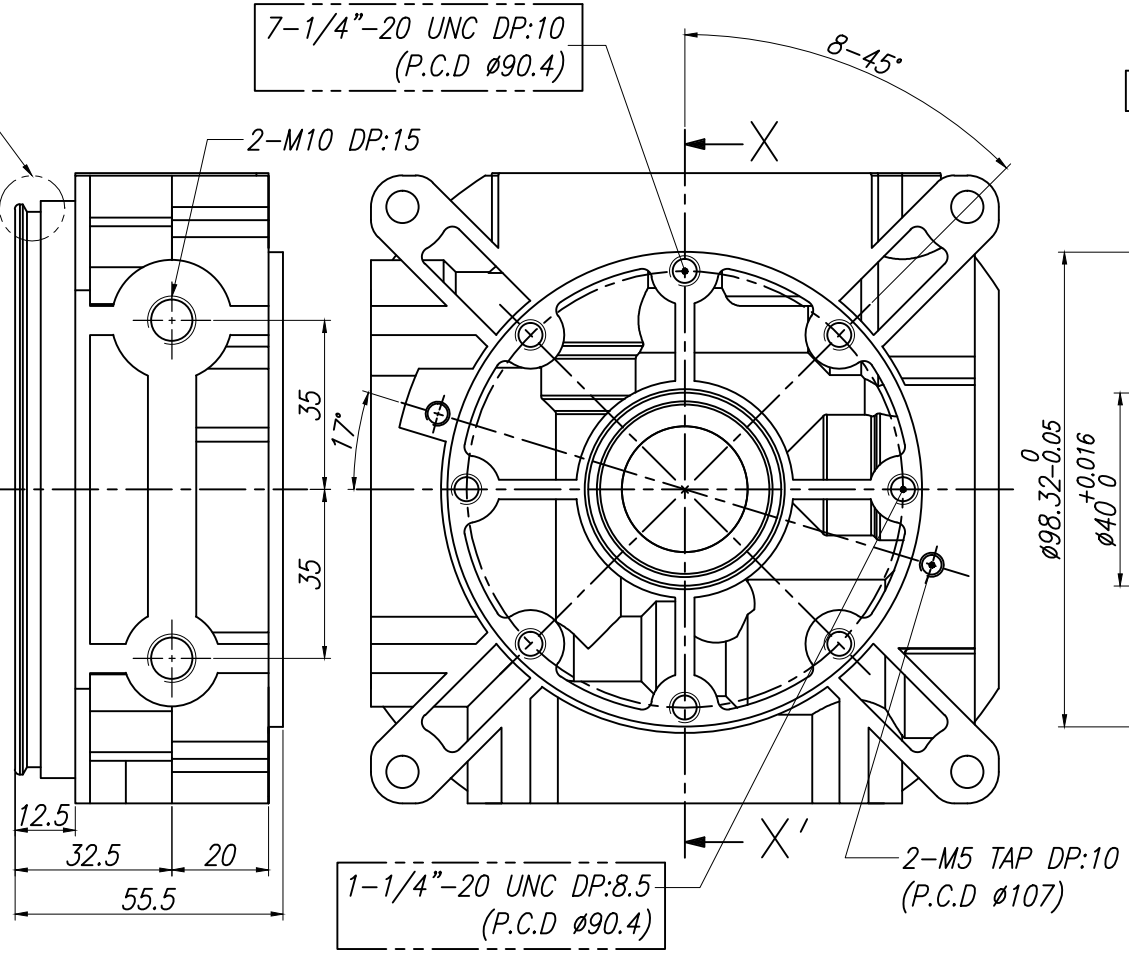
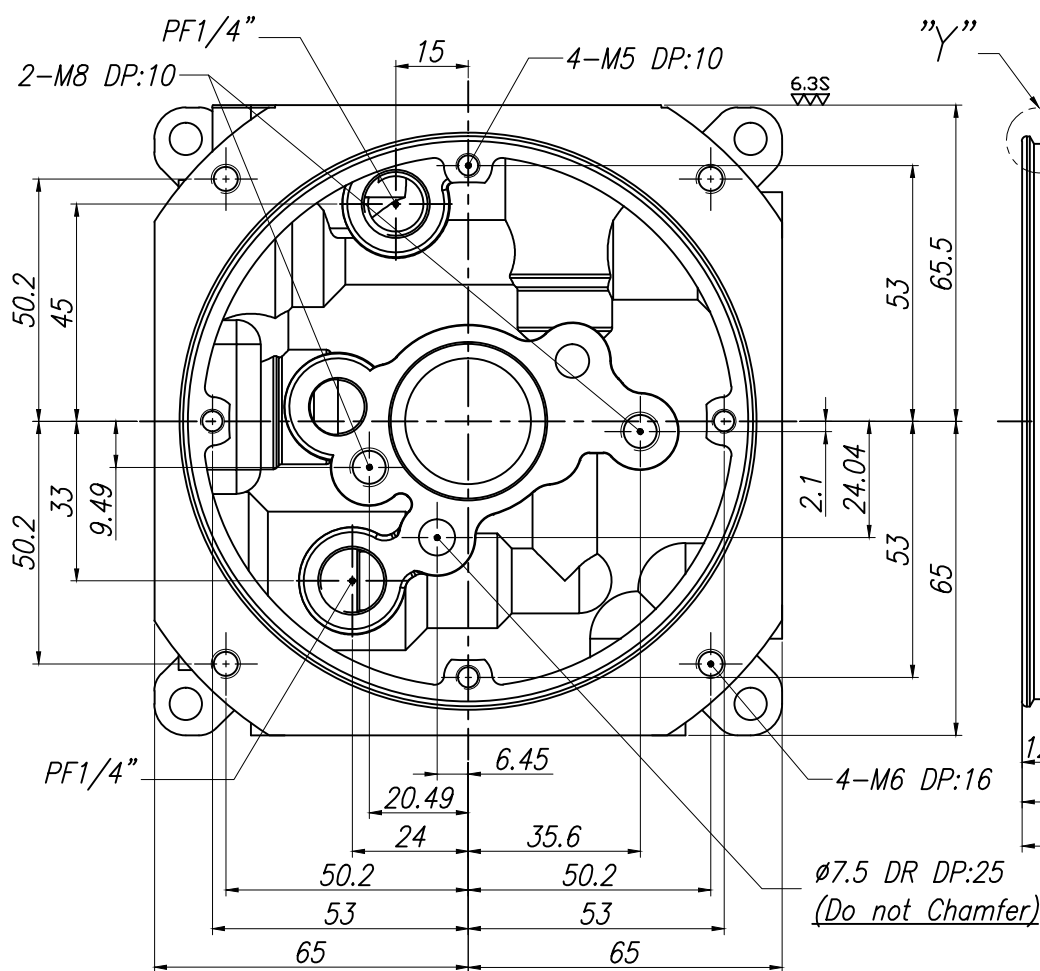
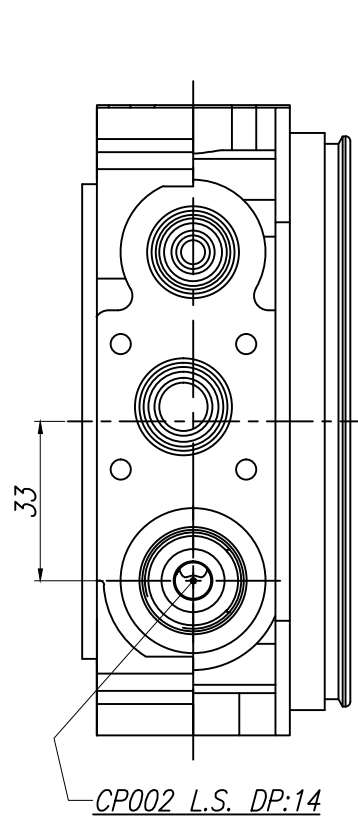


P & T Mark Detail



NO.	DATE	NAME	CHANGES
⚠			
⚠			
⚠			



MATERIAL	HEAT TREAT	Q'TY	SCALE		DRAWING NO.	R0
ALDC12	-	EA	1/1			
DO NOT SCALE DRAWING				APP. DATE		A2
				CH. DATE		
				DR. DATE		